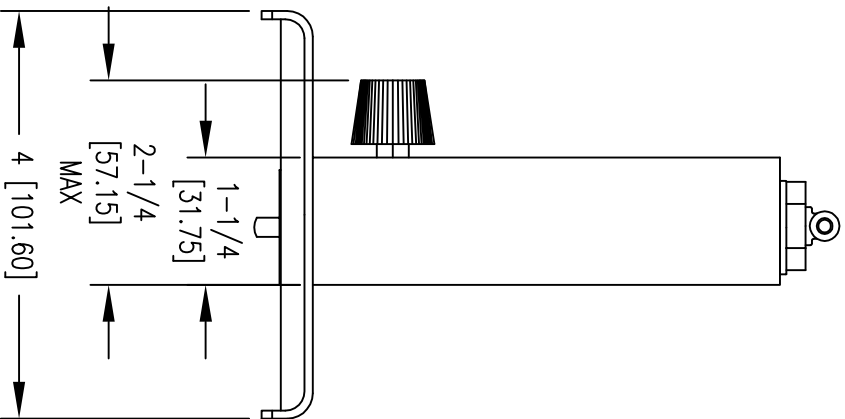
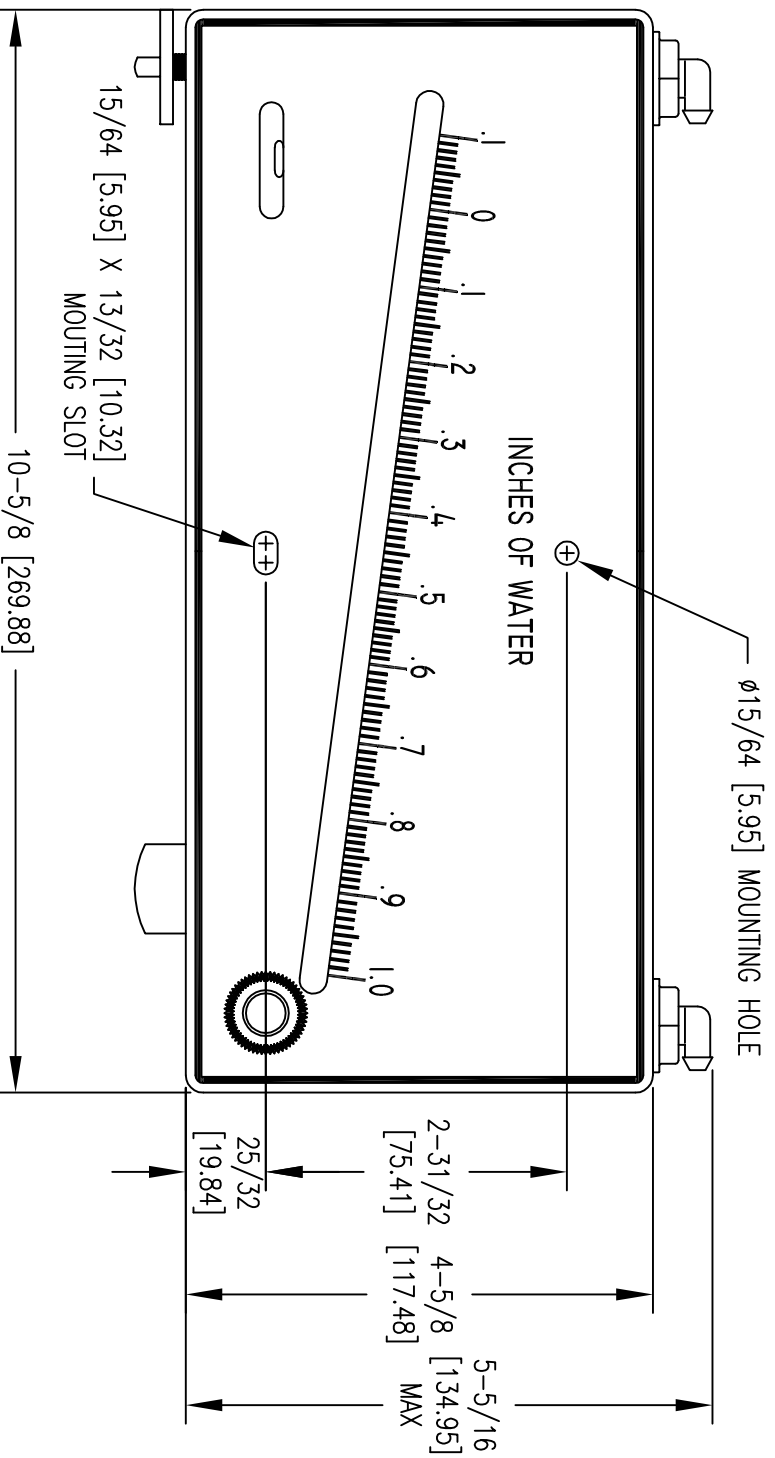


SCALE 1:2

STANDARD TOLERANCES UNLESS NOTED:  
 ALL FRACTIONAL DIMENSIONS ±1/64  
 ALL DECIMAL DIMENSIONS ±.005  
 ALL ANGLES ±1°

NO.		DATE		NAME		MATERIAL	
		DWN BY		MK II 25 MANOMETER		FINISH	
		CHKD				Dwyer INSTRUMENTS, INC.	
		APPD				MICHIGAN CITY, INDIANA 46360 U.S.A.	
CHANGES		BY/DATE		ACADR14		FR. NO.	

NOTICE: This drawing and the principles and elements of design embodied therein are the exclusive property of DWYER INSTRUMENTS, INC. and are not to be communicated, reproduced, copied, or used in any way without the written consent of Dwyer Instruments, Inc.



SCALE 1:2

STANDARD TOLERANCES UNLESS NOTED:  
 ALL DECIMAL DIMENSIONS ±  
 ALL ANGLES ± 0°

NO.		CHANGES		DATE		NAME		MATERIAL	
						MK II 40 MANOMETER		FINISH	
				DWN BY				Dwyer Instruments, Inc.	
				CHKD				MICHIGAN CITY, INDIANA 46360 U.S.A.	
				APPD				FR. NO.	
				BY/DATE		ACADR14			

NOTICE: This drawing and the principles and elements of design embodied therein are the exclusive property of DWYER INSTRUMENTS, INC. and are not to be communicated, disclosed, reproduced, copied, or in any way used or employed in writing by such corporation and must not be submitted to outside parties for examination without the written consent of said corporation.